

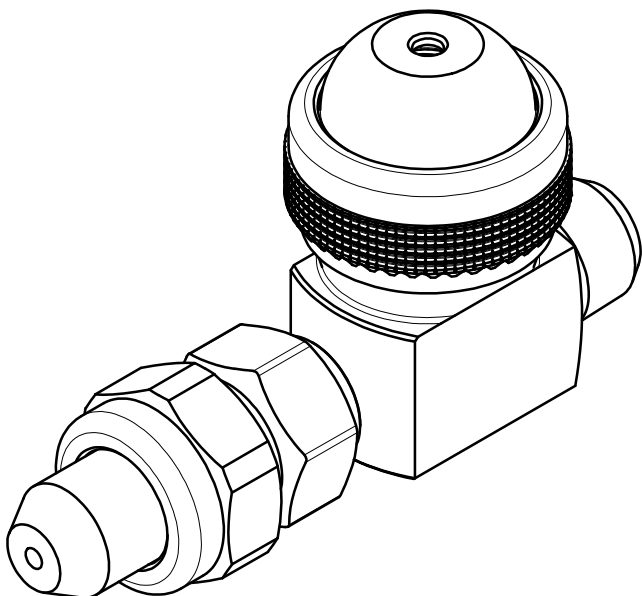
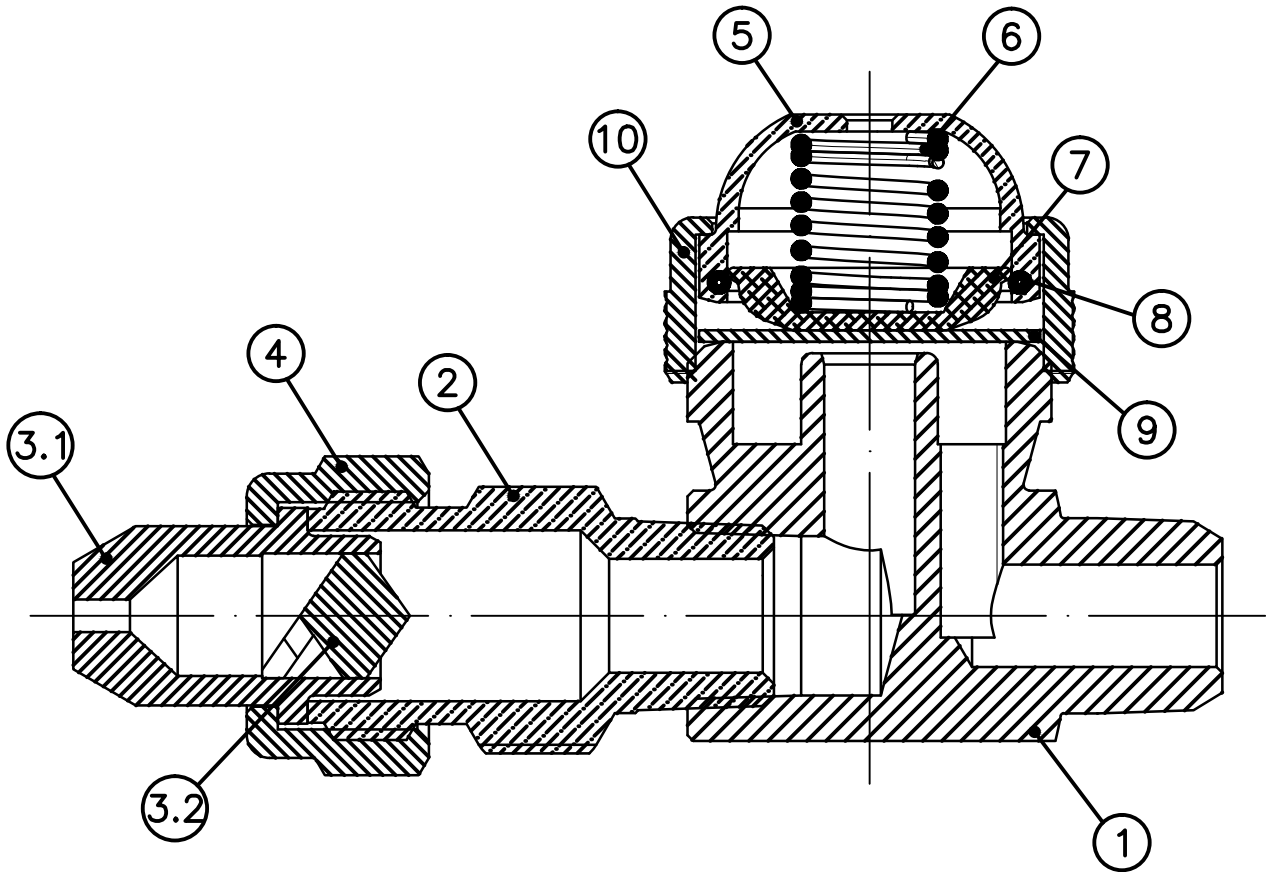


RADMAN FERRO PARS ENGINEERING DIVISION PLANNING & DESIGNING DEPARTMENT			
TITLE: Spray Valve چیدمان اتصالات پاشش سولفات باریوم چرخ ریخته‌گری ذوب‌ساز چشمه		DES.BY: METRIC. <input type="checkbox"/> INCH. <input checked="" type="checkbox"/> A4	
Projection Method: 	ORDER NO.: .....	SCALE: 1/3	DRA.BY: Eng. M. Rajabirad
	STOCK NO.: .....	ISO 2768-1H	CHE.BY: Eng. M. Rajabirad
Net Weight:	TAG NO.: .....	DATE: 98/06/02	APP.BY: Eng. B. Shafiee
DWG NO. 43-653-ME/1-98			REV. NC 



10	BRASS	1	SAR.CU.CO 00.009.010
9	RUBBER	1	SAR.CU.CO 00.009.001
8	S.S	1	SAR.CU.CO 00.009.009
7	BRASS	1	SAR.CU.CO 00.009.008
6	51CrV4	1	SAR.CU.CO 00.009.007
5	BRASS	1	SAR.CU.CO 00.009.006
4	BRASS	1	SAR.CU.CO 00.009.005
3.2	S.S 303	1	SAR.CU.CO 00.009.004
3.1	S.S 303	1	SAR.CU.CO 00.009.003
2	BRASS	1	SAR.CU.CO 00.009.002
1	BRASS	1	SAR.CU.CO 00.009.001
ITEM	MATERIAL	QTY	DWG NO.

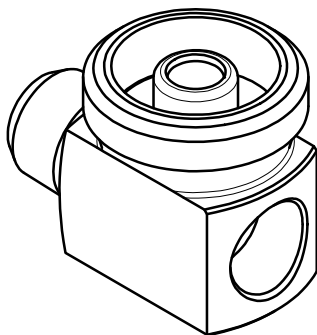
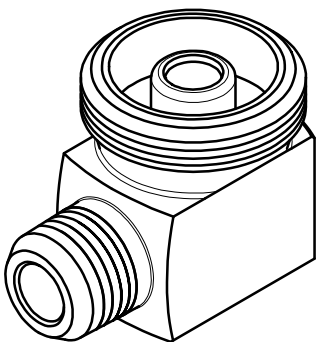
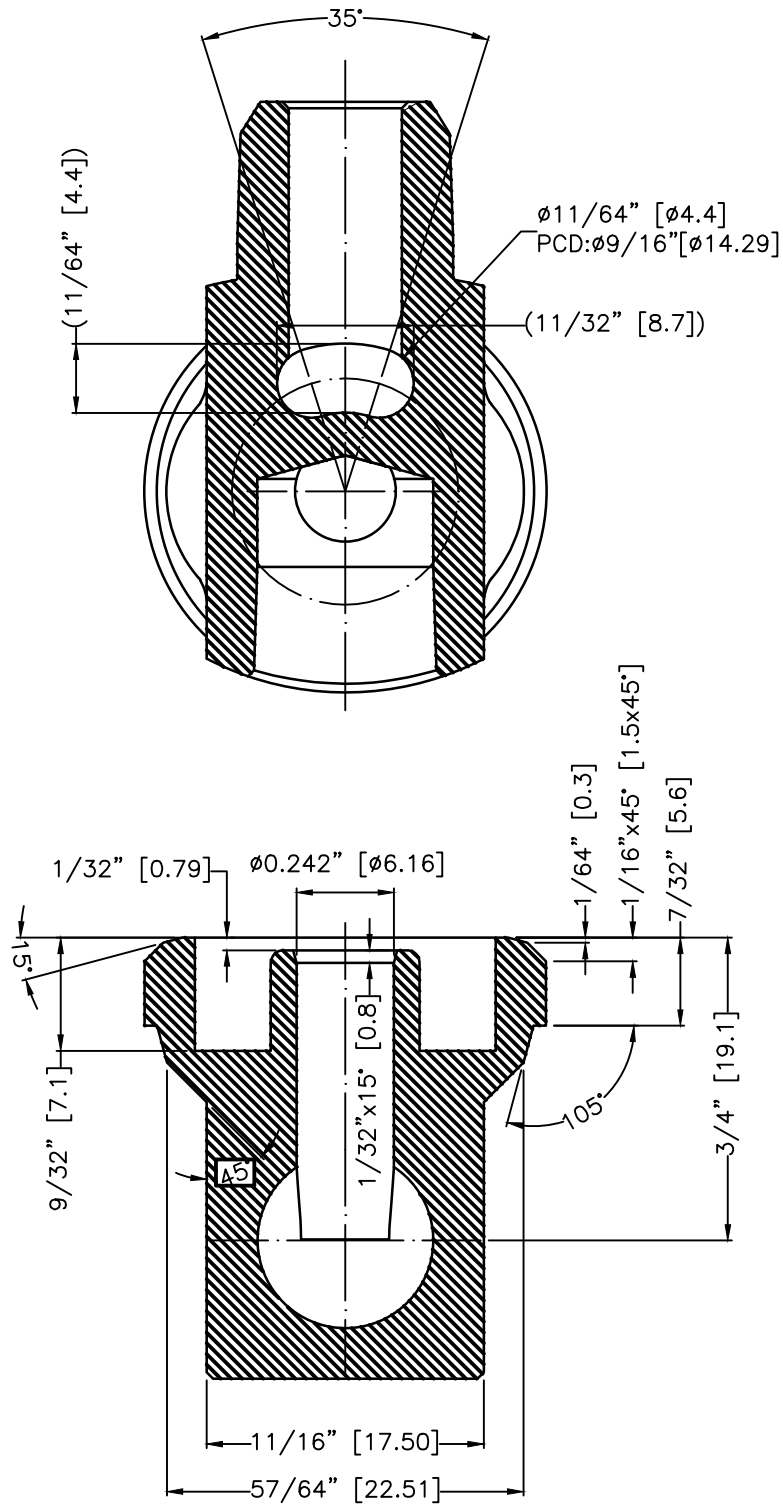
### PART LIST

RADMAN FERRO PARS  
ENGINEERING DIVISION  
PLANNING & DESIGNING DEPARTMENT

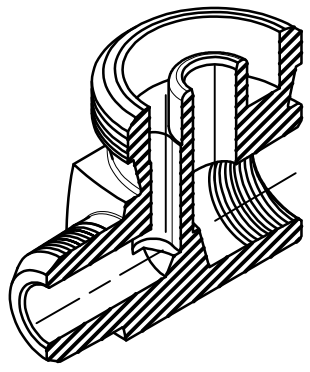
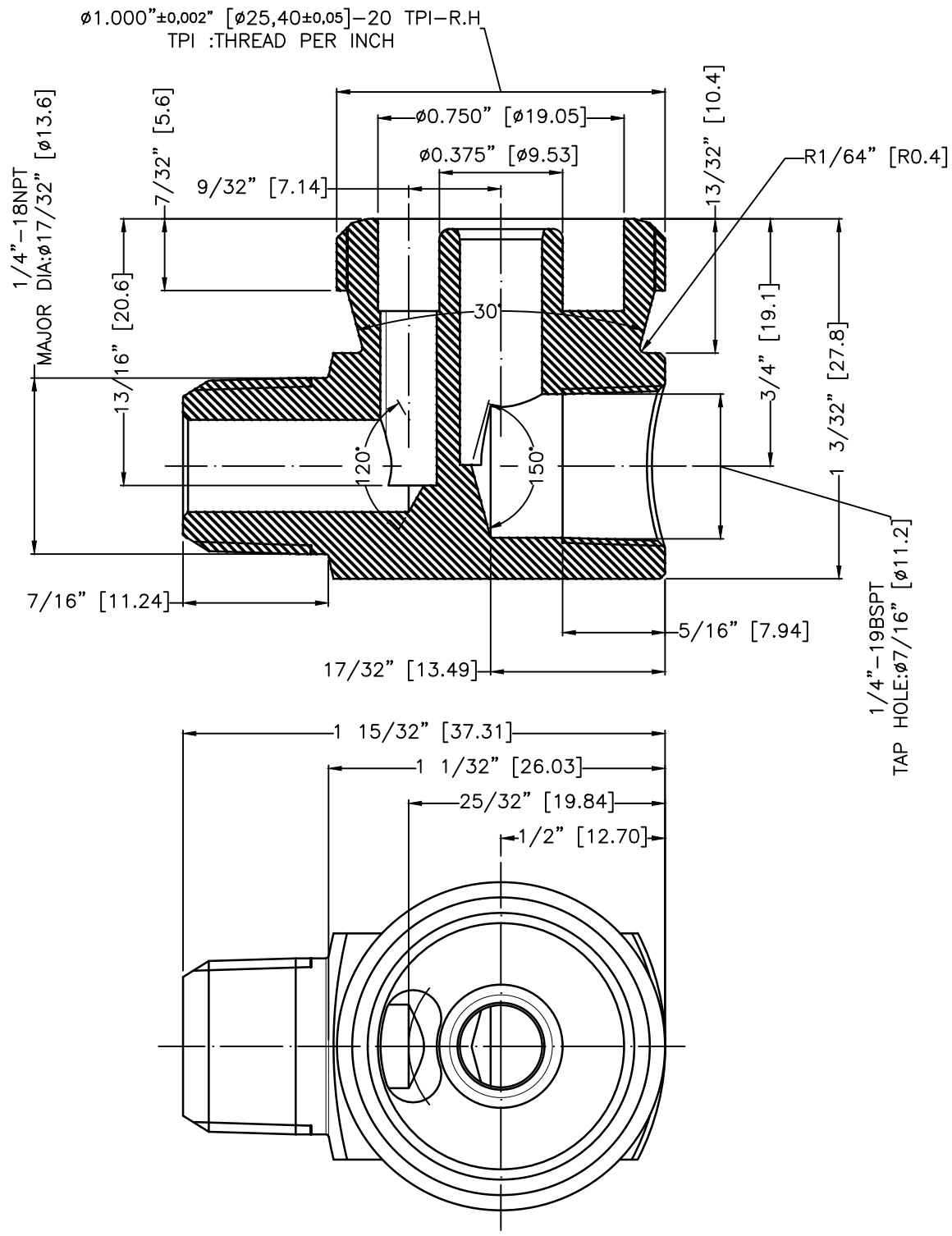
TITLE: Spray Valve پارت لیست اتصالات پاشش سولفات باریوم چرخ ریختهگری ذوب سرد چشمه		DES.BY:	METRIC. [
Projection Method:		SCALE: 1/3	INCH. [
ORDER NO.:	STOCK NO.:	ISO 2768-FH	DRA.BY: Eng. M. Rajabirad
Net Weight:	TAG NO.:	FILE NAME:	CHE.BY: Eng. M. Rajabirad
		DATE: 98/06/02	APP.BY: Eng. B. Shafiee

DWG NO. 43-653-ME/2-98

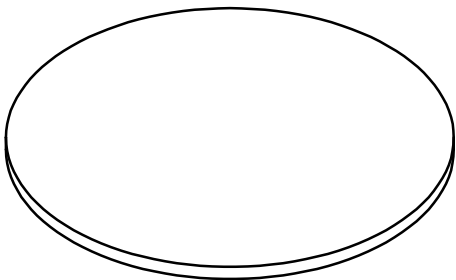
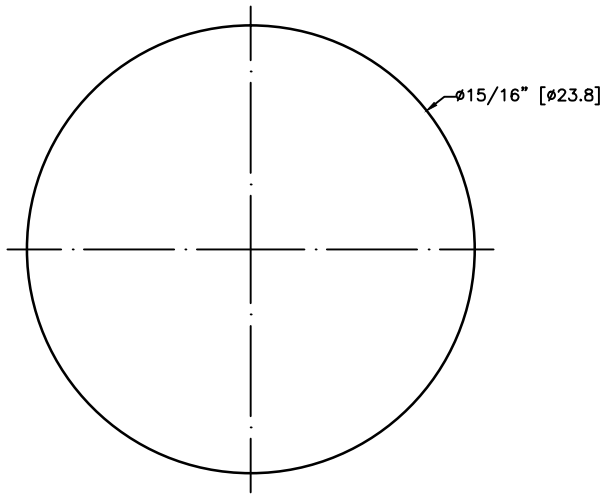
REV. N  
△





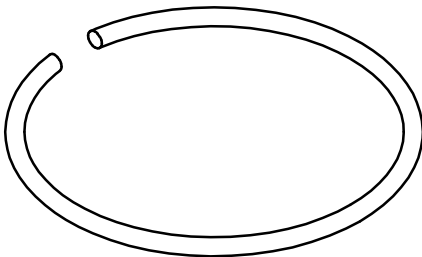
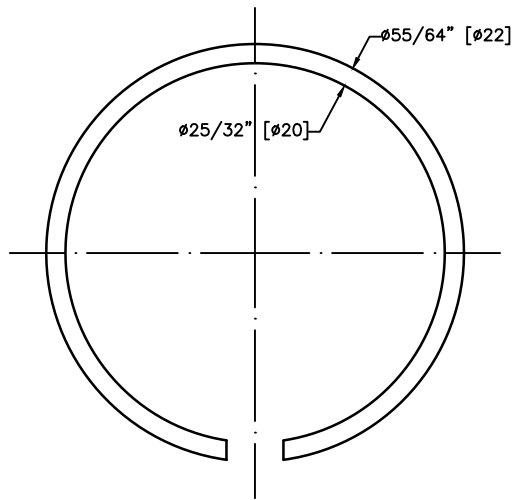
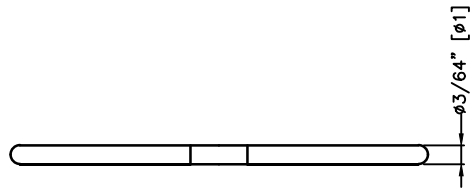
RADMAN FERRO PARS			
ENGINEERING DIVISION			
PLANNING & DESIGNING DEPARTMENT			
TITLE: Spray Valve شیریک طرفه پاشش سولفات باریوم چرخ ریخته گری ذوب سرد چشمه		DES.BY:	METRIC. <input checked="" type="checkbox"/> INCH. <input checked="" type="checkbox"/>
Projection Method:	ORDER NO.:	SCALE:	DRA.BY:
	.....	1/3	Eng. M. Rajabirad
	STOCK NO.:	ISO 2768-FH	CHE.BY:
	.....	FILE NAME:	Eng. M. Rajabirad
Net Weight:	TAG NO.:	DATE:	APP.BY:
	.....	98/06/02	Eng. B. Shafiee
DWG NO. <b>43-653-ME/3-98</b>			REV. NO. 


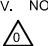


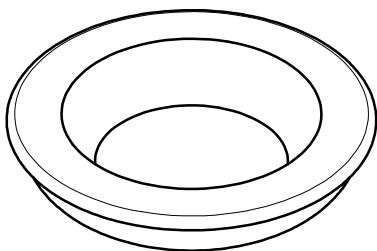
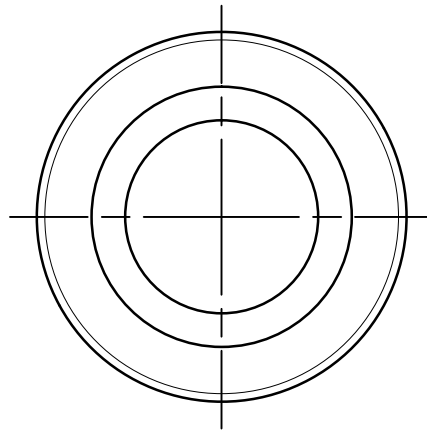
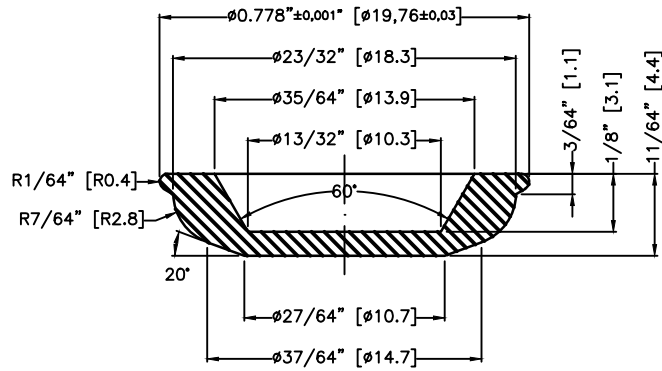
RADMAN FERRO PARS ENGINEERING DIVISION PLANNING & DESIGNING DEPARTMENT			
TITLE: Spray Valve نمای بر روی شهریک طرفه پاشش سوپلات پاروم چرخه گیری خوب سرچشمه		DES.BY: METRIC. <input checked="" type="checkbox"/> INCH. <input checked="" type="checkbox"/> A4	
Projection Method: 	ORDER NO.: .....	SCALE: 1/3 ISO 2768-H4	DRA.BY: Eng. M. Rajabirad
Net Weight:	STOCK NO.: .....	FILE NAME: .....	CHE.BY: Eng. M. Rajabirad
TAG NO.: .....	DATE: 98/06/02	APP.BY: Eng. B. Shafiee	
DWG NO. 43-653-ME/4-98			REV. NO. 



RADMAN FERRO PARS ENGINEERING DIVISION PLANNING & DESIGNING DEPARTMENT			
TITLE: Spray Valve دیافراگم نازل پاشش سولفات بار یوم چرخ ریخته گری ذوب سر چشمه		DES. BY: <b>Eng. M. Rajabirad</b> METRIC. <input checked="" type="checkbox"/> INCH. <input checked="" type="checkbox"/>	
Projection Method: 	ORDER NO.: .....	SCALE: 2/1	DRA. BY: <b>Eng. M. Rajabirad</b>
Net Weight:	STOCK NO.: .....	ISO 2768-TH FILE NAME: .....	CHE. BY: <b>Eng. M. Rajabirad</b>
TAG NO.: .....	DATE: 98/06/02	APP. BY: <b>Eng. B. Shafiee</b>	
DWG NO. <b>43-653-ME/10-98</b>			REV. NO. 

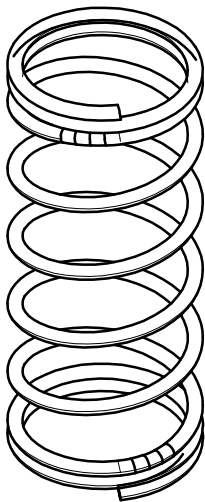
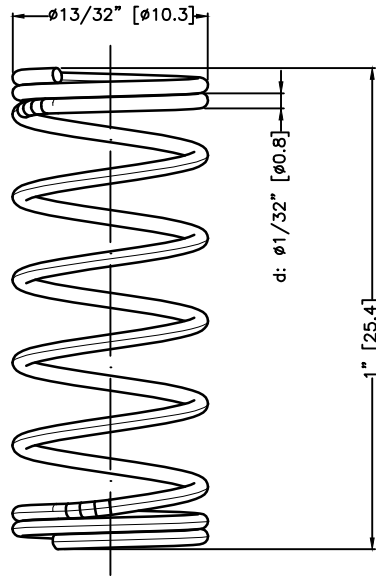


RADMAN FERRO PARS ENGINEERING DIVISION PLANNING & DESIGNING DEPARTMENT			
TITLE: Spray Valve رینگ نازل پاشش سولفات باریوم چرخ ریخته‌گری ذوب‌سرچشمه			DES. BY: METRIC. <input checked="" type="checkbox"/> INCH. <input checked="" type="checkbox"/> A4
Projection Method: 	ORDER NO.: .....	SCALE: 2/1	DRA. BY: Eng. M. Rajabirad
	STOCK NO.: .....	ISO 2768-H1 FILE NAME: .....	CHE. BY: Eng. M. Rajabirad
Net Weight:	TAG NO.: .....	DATE: 98/06/02	APP. BY: Eng. B. Shafiee
DWG NO. 43-653-ME/11-98			REV. NO. 



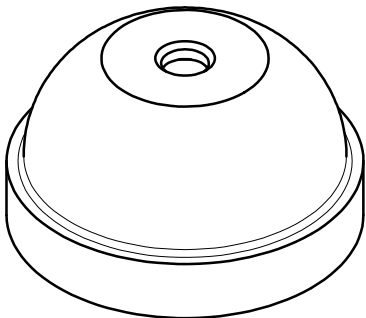
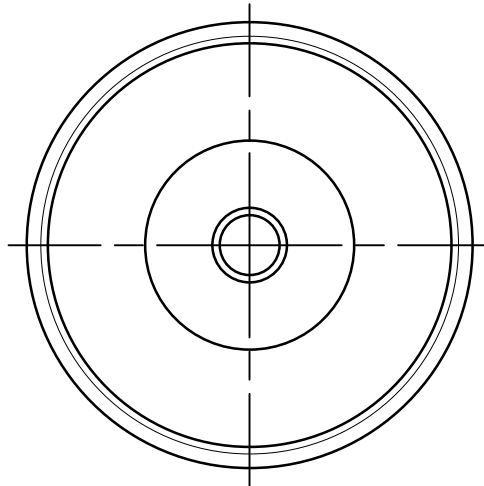
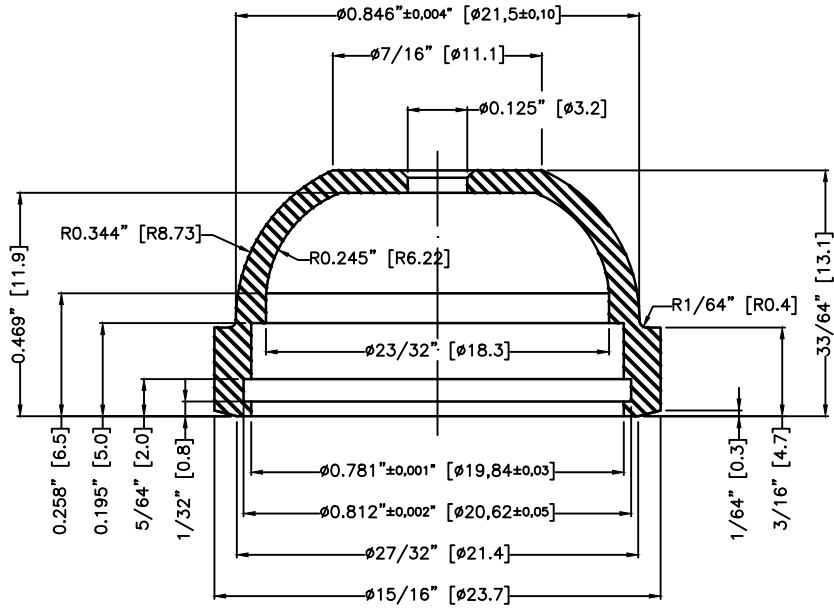
RADMAN FERRO PARS ENGINEERING DIVISION PLANNING & DESIGNING DEPARTMENT			
TITLE: Spray Valve بوستر شیریک طرفه پاشش سولفات باروم چرخ ریختهگری ذوب سر چشمه		DES.BY: METRIC. <input checked="" type="checkbox"/> INCH. <input checked="" type="checkbox"/>	
Projection Method:	ORDER NO.:	SCALE: 2/1	DRA.BY: Eng. M. Rajabirad
	STOCK NO.:	ISO 2768-1H	CHE.BY: Eng. M. Rajabirad
	FILE NAME:	DATE: 98/06/02	APP.BY: Eng. B. Shafiee
Net Weight:	TAG NO.:	DWG NO. 43-653-ME/12-98	
			REV. NO. 

Total Coils	9	
Active Coils	5	
Coil Direction	right	
Spring Ends		
	Start	End
Closed End Coils	2	2
Ground Coils	0	0

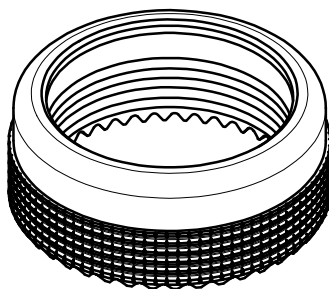
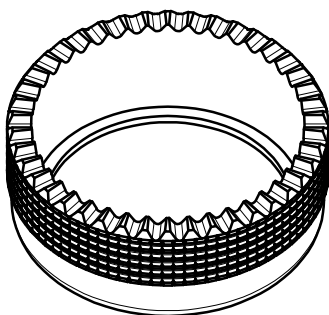
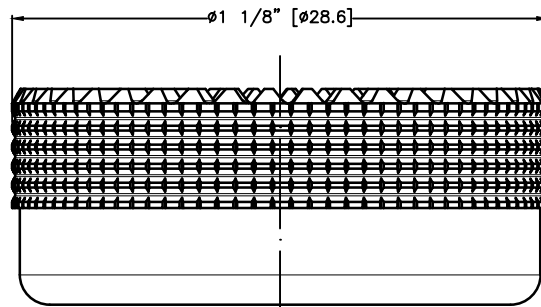
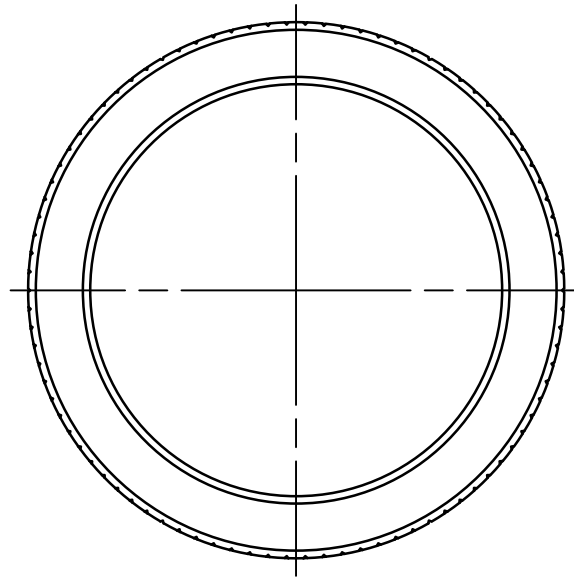
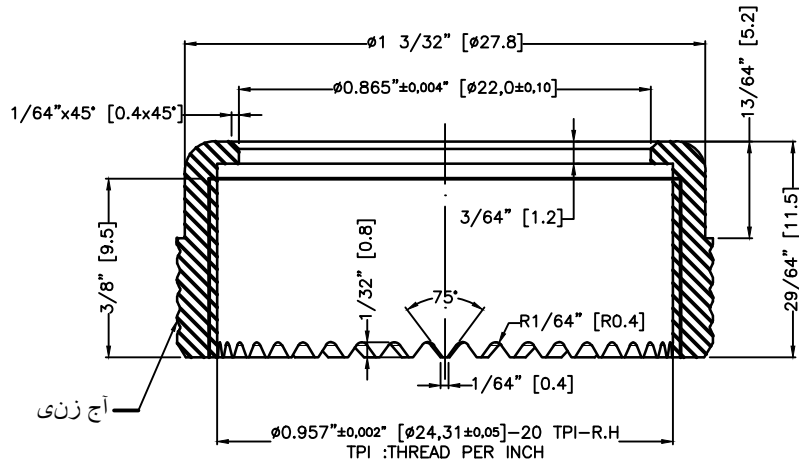


RADMAN FERRO PARS ENGINEERING DIVISION PLANNING & DESIGNING DEPARTMENT			
TITLE: Spray Valve فنرشیریک طرفه پاشش سولفات باریوم چرخ ریخته گری ذوب سرچشمه		DES.BY: METRIC. <input checked="" type="checkbox"/> INCH. <input checked="" type="checkbox"/> A4	
Projection Method: 	ORDER NO.: .....	SCALE: 2/1	DRA.BY: Eng. M. Rajabirad
	STOCK NO.: .....	ISO 2768-4H FILE NAME: .....	CHE.BY: Eng. M. Rajabirad
Net Weight:	TAG NO.: .....	DATE: 98/06/02	APP.BY: Eng. B. Shafiee
DWG NO. 43-653-ME/13-98			REV. NO. 





RADMAN FERRO PARS ENGINEERING DIVISION PLANNING & DESIGNING DEPARTMENT			
TITLE: Spray Valve		DES.BY: METRIC. <input checked="" type="checkbox"/> INCH. <input checked="" type="checkbox"/>	
درپوش شیریک طرفه یا شش سولفات تباریوم چرخ ریخته گری ذوب سرد چشمه A4		A4	
Projection Method:	ORDER NO.:	SCALE:	DRA.BY:
	.....	2/1	Eng. M. Rajabirad
	STOCK NO.:	ISO 2768-Ft	CHE.BY:
.....	.....	FILE NAME:	Eng. M. Rajabirad
Net Weight:	TAG NO.:	DATE:	APP.BY:
.....	.....	98/06/02	Eng. B. Shafiee
DWG NO. 43-653-ME/14-98			REV. NO. 



RADMAN FERRO PARS			
ENGINEERING DIVISION			
PLANNING & DESIGNING DEPARTMENT			
TITLE:		DES.BY:	
Spray Valve		METRIC. <input checked="" type="checkbox"/>	
نگارنده: مهندس شیری که طرفه پاشش سوالات با ریمو چرخ ریخته گری و ذوب سر چشمه		INCH. <input checked="" type="checkbox"/>	
Projection Method:	ORDER NO.:	SCALE:	DRA.BY:
	.....	2/1	Eng. M. Rajabirad
	STOCK NO.:	ISO 2768-H	CHE.BY:
	.....	FILE NAME:	Eng. M. Rajabirad
Net Weight:	TAG NO.:	DATE:	APP.BY:
	.....	98/06/02	Eng. B. Shafiee
DWG NO. 43-653-ME/15-98			REV. NO.